



PERKO® & **PERKOMATIC**®

Concealed Door Closers

SAMUEL HEATH

Concealed Door Closers

Our concealed door closers have been closing doors in a wide variety of commercial, leisure, public and domestic buildings for over 35 years, establishing themselves as the preferred choice for specifiers and contractors throughout the world.

Recognised as an effective means of providing quiet, unobtrusive and economic closing, Perko® and Perkomatic® create clean, unhindered aesthetics for a door, corridor and room, eliminating the need for unattractive and intrusive surface mounted closers.

Just because our door closers are concealed doesn't mean we have neglected their looks; both Perko® and Perkomatic® forends are now available with polished brass, chrome, satin chrome and bronze metal antique finishes to complement traditional, retrospective and contemporary decorative styles.

Great looks are matched by the exceptional levels of performance and quality for which all Samuel Heath products are renowned.



Independent fire tests have verified that Perko® and Perkomatic® are suitable for use on half-hour and one hour latched fire doors. Durability and quality are assured by testing to 500,000 closing cycles and production under factory control systems accredited to BS EN ISO 9001: 2000.

Installation is straightforward, involving simple drill and rebating procedures according to the template supplied with each closer. Following this, each closer can be quickly and easily adjusted to suit various latchbolt conditions:

On Perko® the closure rate can be varied, whilst Perkomatic® features an adjustable latching action.

- Concealed - enhanced aesthetics
- reduced opportunity for vandalism
- Fire approved - BS EN 1634-1:2000
approved for use on half-hour and one-hour fire doors
- Designed for light to medium duty installations
- Manufactured under BS EN ISO 9001: 2000 quality systems
- Tested to withstand 500,000 closing cycles

Fire and Performance

Both Perko® and Perkomatic® concealed door closers have been incorporated into doors which have been successfully fire tested at the Bodycote Warrington Fire Research Centre. At the end of the tests, the integrity of the doors in the vicinity of the closers was maintained. Thanks to its flash point of 225°C the hydraulic fluid within the Perkomatic® door closer offers excellent resistance to high temperatures and was unaffected by the fire tests, as our assessment to BS EN 1634-1 shows.

Samuel Heath can provide comprehensive documentation and assessments on the fire tests in which Perko® and Perkomatic® featured as proof of the products' suitability for appropriate fire door applications together with factory production control certification to demonstrate compliance with Building and Construction Products Regulations.



Both products are UL and cUL approved in the USA and Canada under the listing mark 85R6.



Technical support

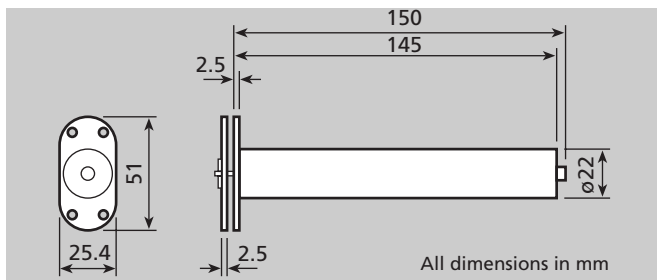
Detailed information on Perko® and Perkomatic® is available on our website at www.samuel-heath.com.

Comprehensive advice on all aspects of specification, application and installation of Perko® and Perkomatic® concealed door closers is provided by our experienced technical design team.

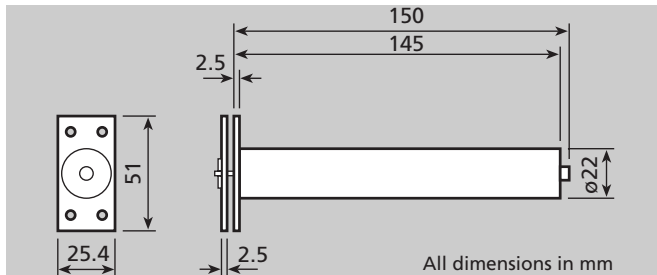
Perko®

Perko® is the original concealed door closer, offering an economic means of providing automatic closing for internal doors up to 50.8kg in weight in light to medium use applications.

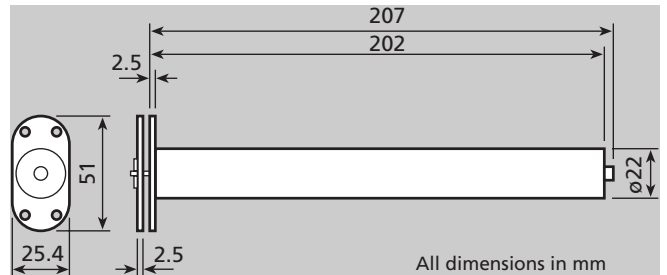
Solid brass anchor plates, powder coated mechanism housing and precision-engineered chain add to its appeal. Supplied with fixing screws and full fitting instructions.



Perko® R1 Round Plates



Perko® R2 Rectangular Plates



Perko® R21 Round Plates (extended version)



Perko® R1.PB
Round Plates Brass



Perko® R1.CP
Round Plates Chrome



Perko® R1.SCP
Round Plates Satin Chrome



Perko® R1.BMA
Round Plates BMA



Perko® R2.PB
Rectangular Plates Brass



Perko® R2.CP
Rectangular Plates Chrome



Perko® R2.SCP
Rectangular Plates Satin Chrome



Perko® R2.BMA
Rectangular Plates BMA

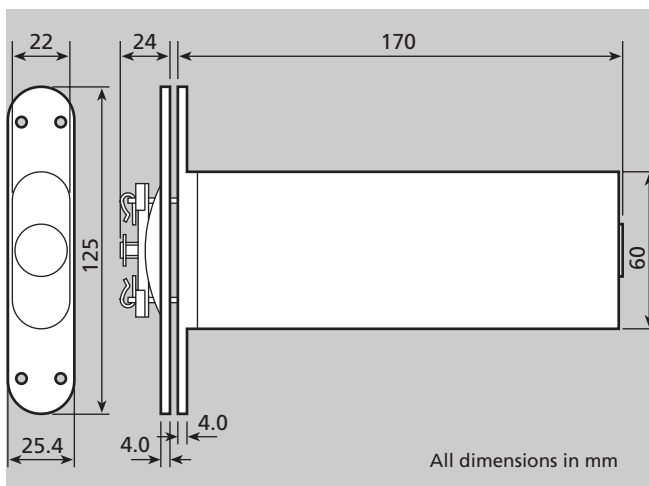
Perkomatic®

Designed for light to medium use situations on internal doors up to 75kg in weight, Perkomatic® offers the ultimate in uncontrolled concealed door closing devices, with outstanding performance and excellent durability.

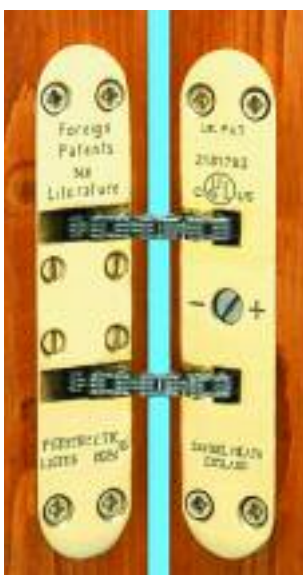
Housed in a lightweight aluminium casing, the hydraulic mechanism can be easily adjusted to provide the desired latching action for each application, whilst the precision engineered chain ensures smooth and lasting service. Supplied with fixing screws and full fitting instructions.



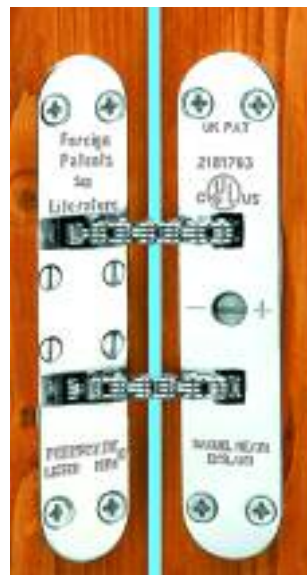
Perkomatic®



Perkomatic® R85



Perkomatic® R85.PB



Perkomatic® R85.CP



Perkomatic® R85.SCP



Perkomatic® R85.BMA

Samuel Heath has been supplying discerning customers with the very best in product design and innovation for almost two centuries, establishing a reputation for quality and service throughout the world.

Combining traditional craftsmanship and attention to detail with the latest design and manufacturing techniques, Samuel Heath has created some of the most attractive solid brass fittings to grace any home. The quality, performance and durability of the entire range of Samuel Heath products have made them equally suitable for commercial, domestic and leisure developments across the globe.

In addition to Perko®, Perkomatic® and Perko Powermatic® concealed door closers, Samuel Heath's extensive range of high quality, solid brass products includes complementary suites of bathroom accessories, taps and showers, in a variety of finishes together with an extensive collection of door and window fittings.

Further details on Samuel Heath products can be obtained from the company's websites or sales office at the contact addresses listed below.

Samuel Heath & Sons plc
Leopold Street, Birmingham B12 0UJ, England
Telephone: 0121 772 2303 Fax: 0121 772 3334
Sales office direct line: 0121 766 4200
e-mail: info@samuel-heath.com
www.samuel-heath.com

For information on Perko-Powermatic our fully controlled, concealed door closer:
e-mail: powermatic@samuel-heath.com
www.perko-powermatic.com

© Samuel Heath & Sons plc. 2007

All material and illustrations included in this catalogue are the copyright of Samuel Heath & Sons plc and cannot be used without prior written permission in any other publication, advertisement, correspondence, catalogue or brochure in any medium whatsoever, whether written or electronic, including the internet.

Samuel Heath have a policy of continual improvement in the design and performance of its products. The right is therefore reserved to vary specification without notice.