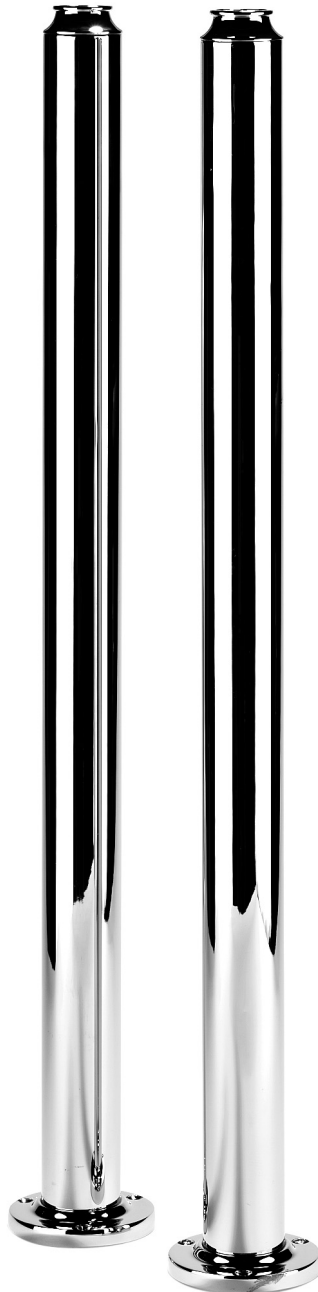


SAMUEL HEATH

PRODUCT DATA SHEET

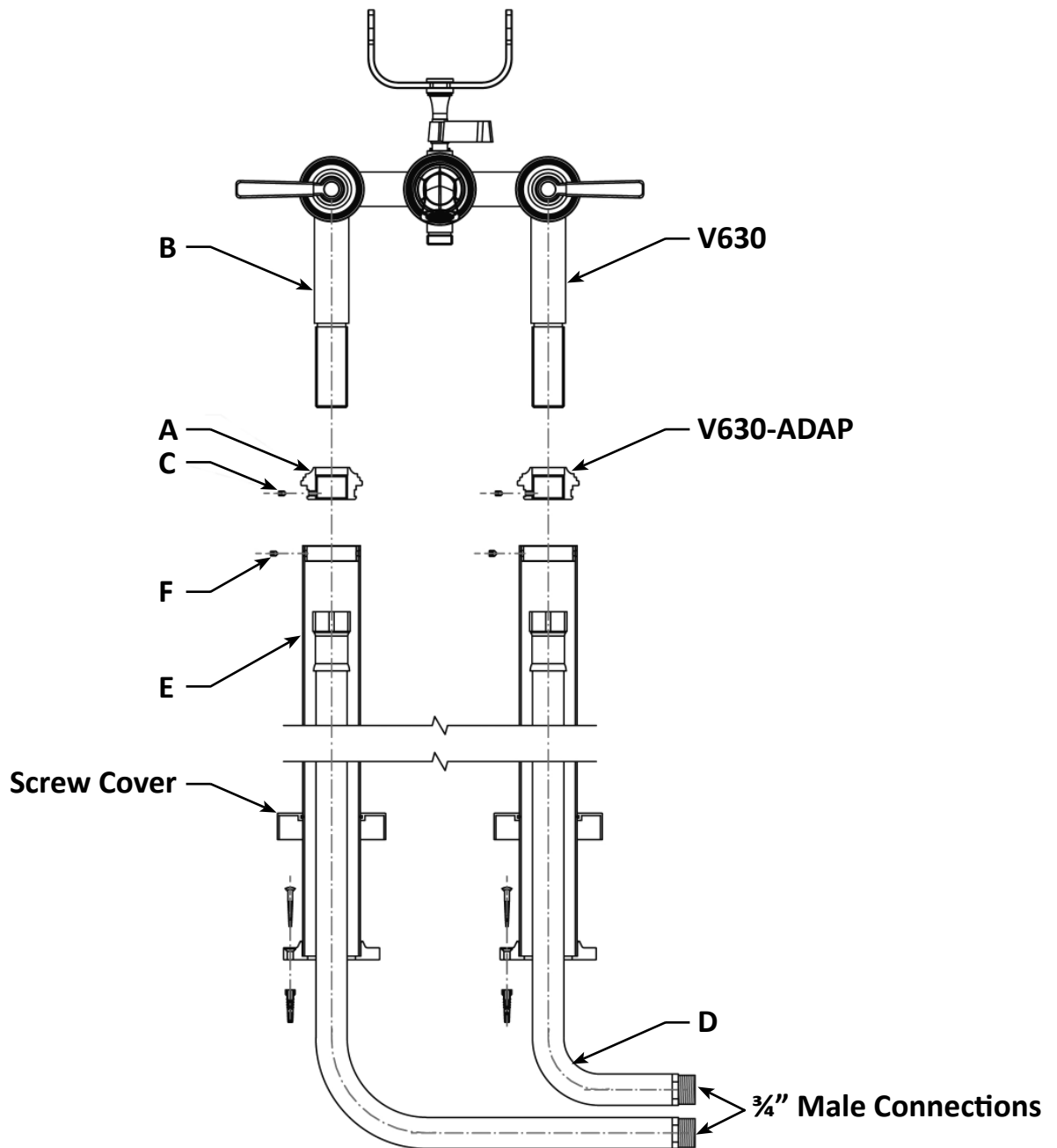
V238 FREE STANDING LEGS



SAMUEL HEATH

since 1820

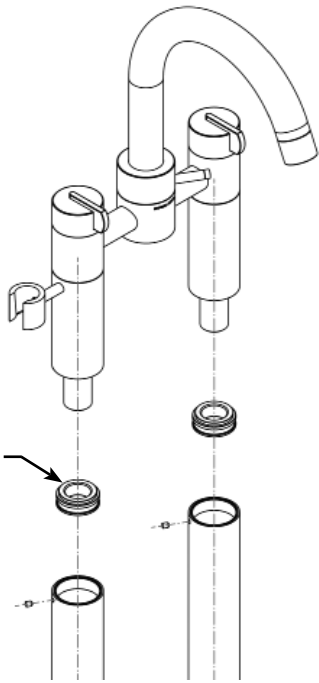
V630



1. Screw the V630-ADAP (A) onto the legs of Bath Shower Mixer (B) and secure with Grub Screws (C).
2. Connect the Flexi Pipes (D) onto the Bath Shower Mixer (B) and thread these through Standpipe Legs (E).
3. Secure the Bath Shower Mixer (B) to the Stand Pipe Legs (E) using Grub Screws (F).
4. Connect the Flexi Pipes (D) to the water supply under the floor.
5. Screw the Stand Pipe Legs (E) to the floor.

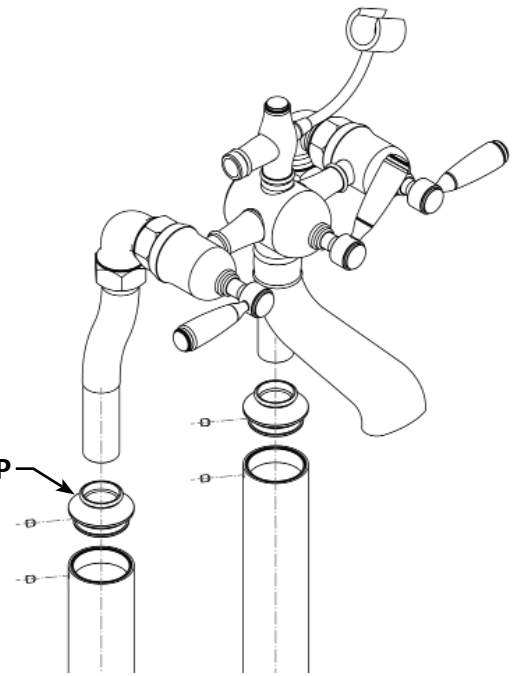
V136

V136-ADAP



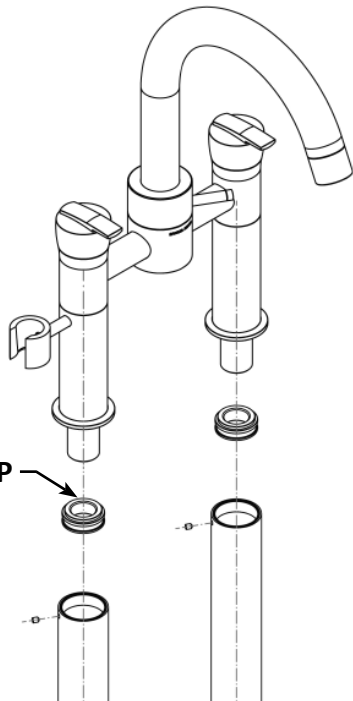
V230

V230-ADAP



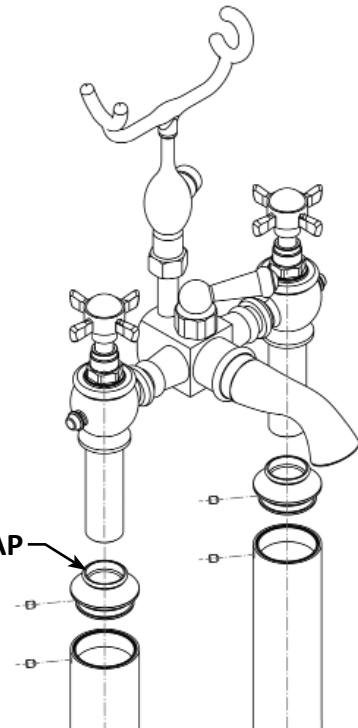
V336

V336-ADAP



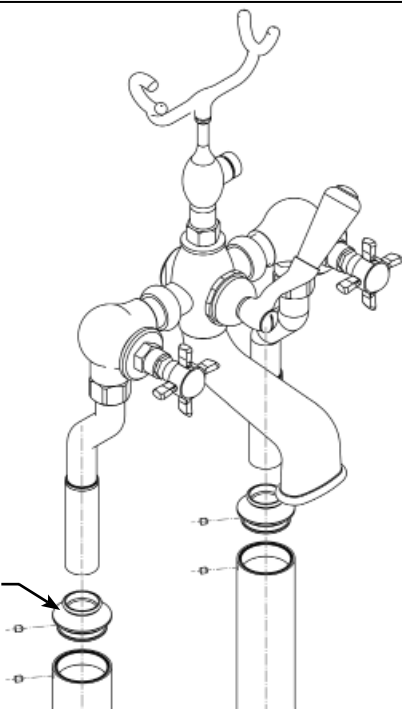
VAC30

V230-ADAP



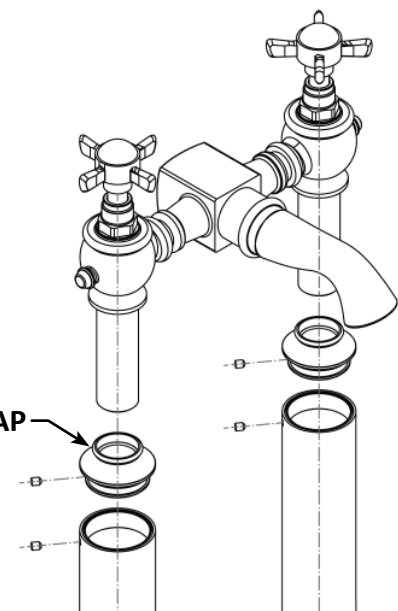
VAC36-D

V230-ADAP

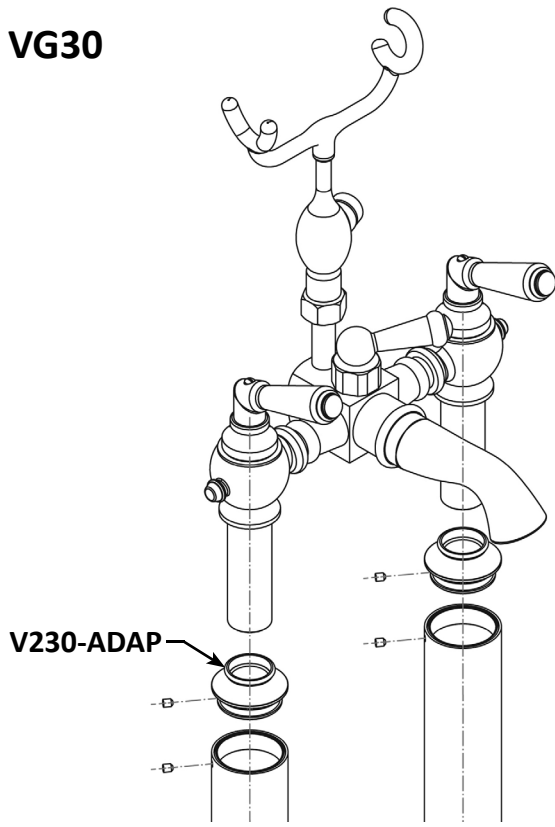


VAC40

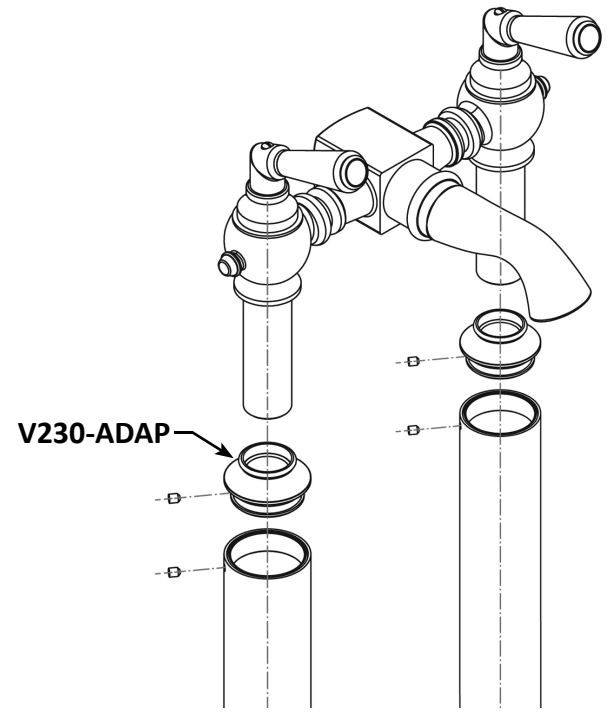
V230-ADAP



VG30



VG40



SAMUEL HEATH

Head Office and Customer Service
Leopold Street
Birmingham
England
B12 0UJ

T: +44 (0)121 766 4200
F: +44 (0)121 772 3334
info@samuel-heath.com
www.samuel-heath.co.uk