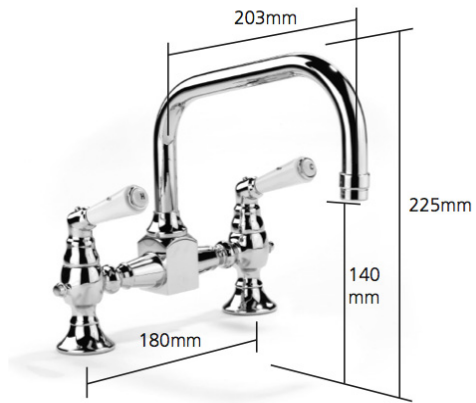


## VG27-CR

2 Hole sink mixer dual flow



Feeds: 1/2" tail length 70mm  
Max drill hole Ø: 35mm  
Min 0.5 bar

Finishes: Chrome, Antique Gold

UK and Worldwide Customer Service Team:  
+44 (0)121 766 4200  
[www.samuel-heath.co.uk](http://www.samuel-heath.co.uk)

USA Customer Service Team:  
[www.samuel-heath.com](http://www.samuel-heath.com)